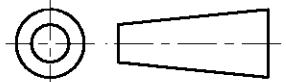


DO NOT SCALE

DIMENSIONS IN mm

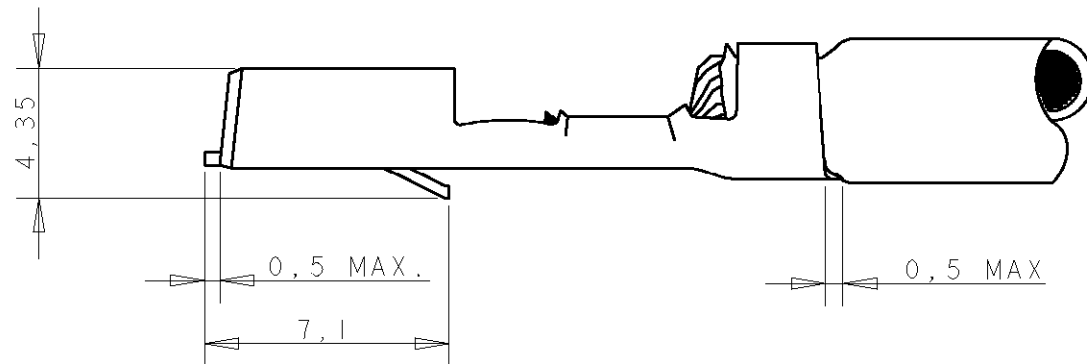
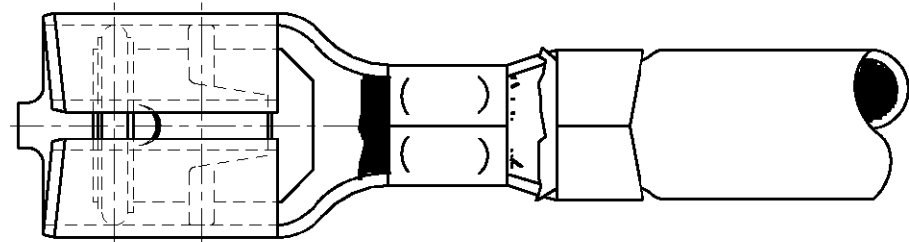
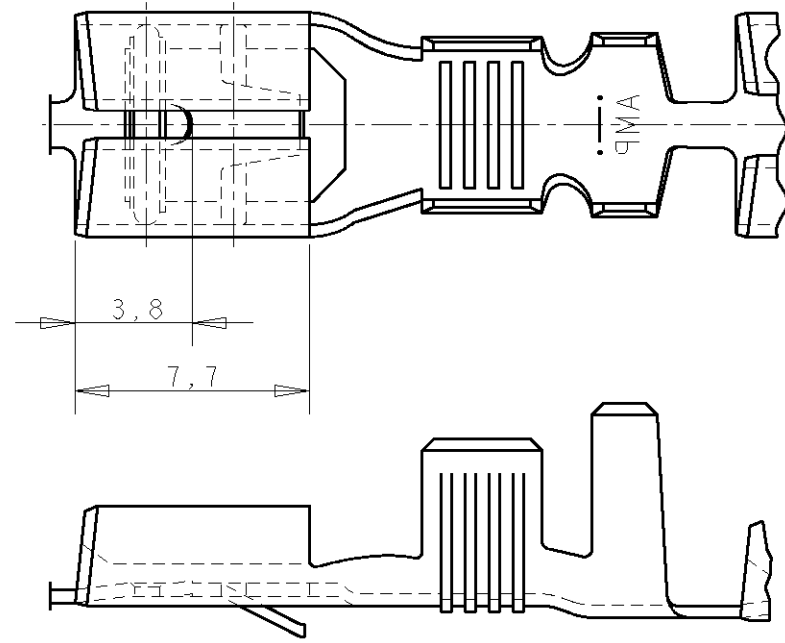
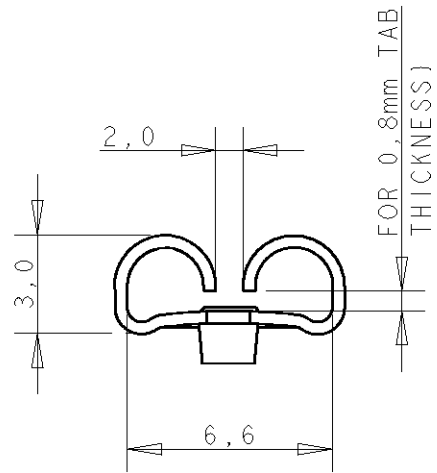
METRIC

THIRD ANGLE  
PROJECTION



NOTES:

- FOR USE ON STANDARD AND MINIATURE APPLICATORS.
- REELED WITH PAPER COVER.



WIRE RANGE :  
0,5-1,5 mm<sup>2</sup>  
INSULATION RANGE :  
2,3-3,3 DIA.

GENERAL TOLERANCES ±0.3

NOTES	FINISH	MATERIAL	PARTNUMBER
	UNPLATED	BRASS	160825-5
	UNPLATED	PHOSPHORBRONZE	160825-3
-	-	-	-
-	-	-	-
-	-	-	-

DR.	CHK.	APP.	DATE	REV.	LTR.	SHEET	NAME
D. KESSLER	P. BEIJNON	L. V. SOEST	21-06-94	-	E	1 OF 1	6,3 SRS FASTIN-ON RECEPTACLE
REVISION RECORD				DR.	CHK.	DATE	
CUSTOMER DRAWING FOR REFERENCE ONLY WILL NOT BE UPDATED				© COPYRIGHT 19- BY AMP HOLLAND B.V. ALL INTERNATIONAL RIGHTS RESERVED. AMP PRODUCTS MAY BE COVERED BY U.S. AND FOREIGN AND/OR PATENTS PENDING. THIS DRAWING IS UNPUBLISHED RELEASED FOR PUBLICATION			
AMP Tyco Electronics AMP Barcelona, Spain				DWG. No. 160825			